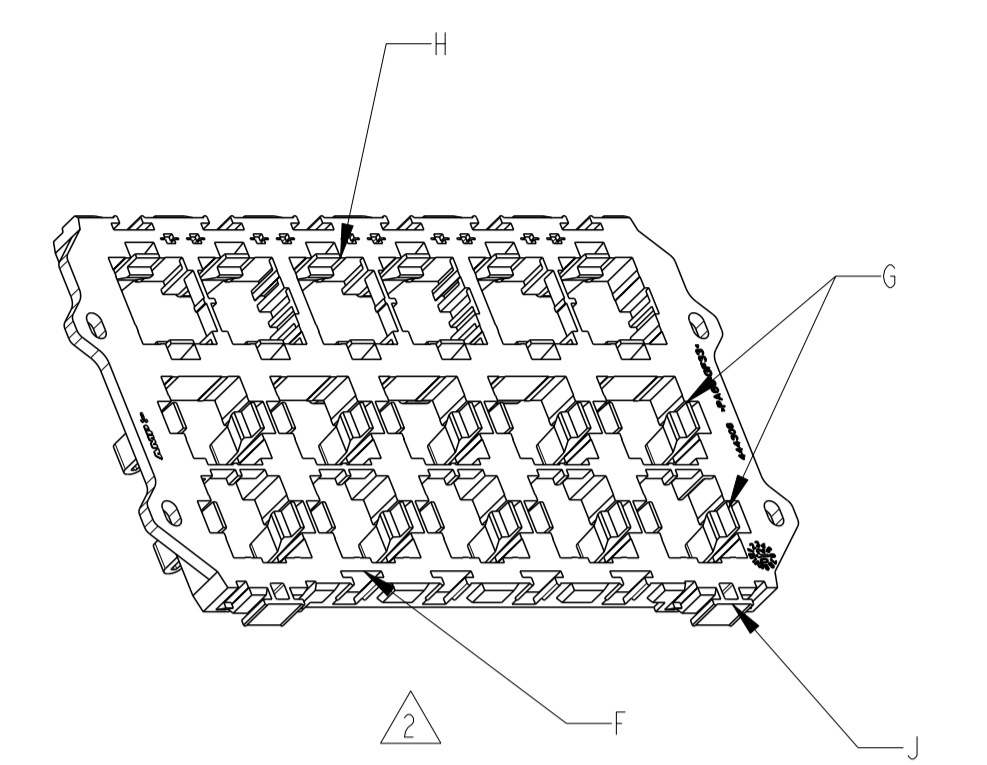
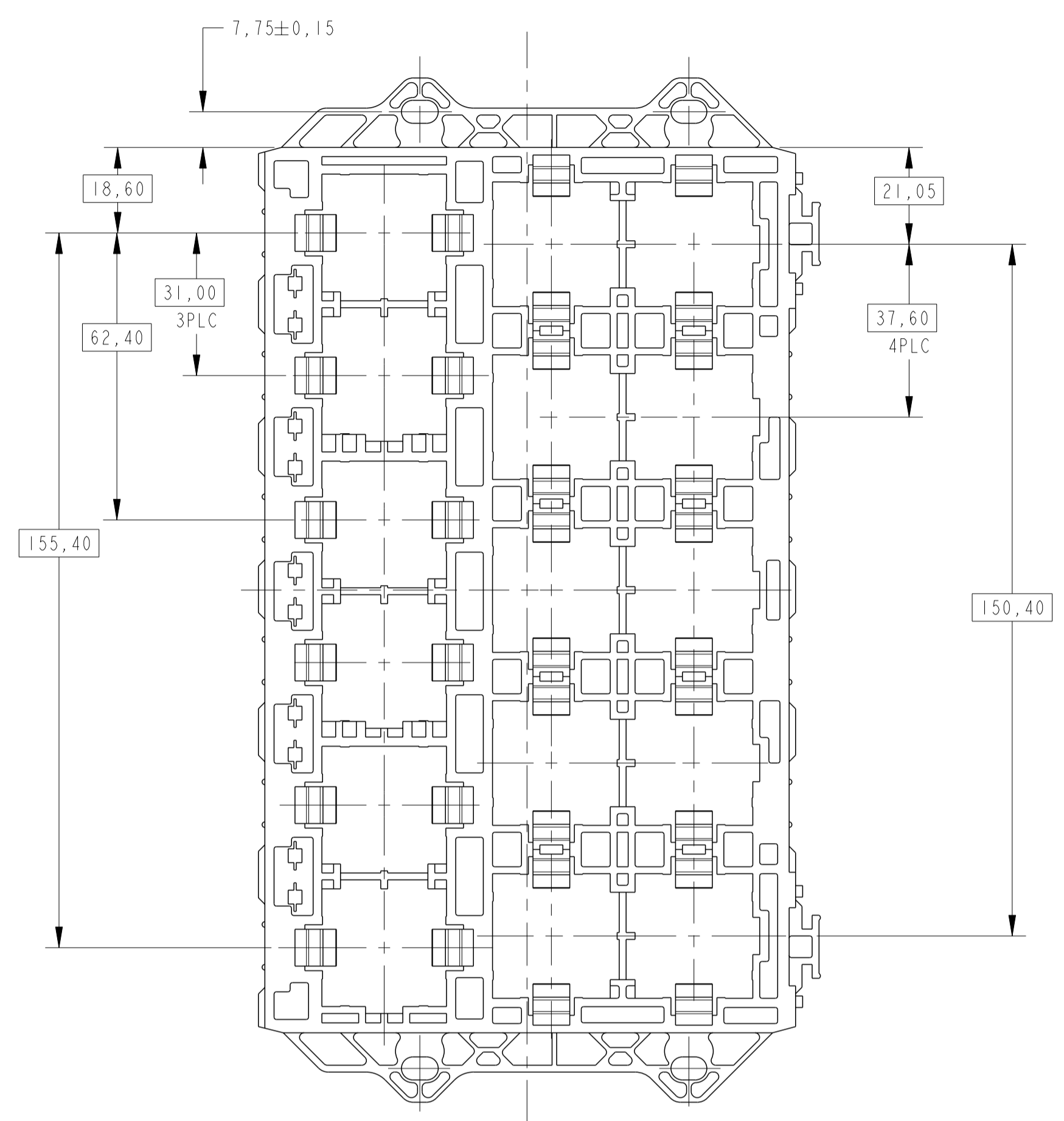
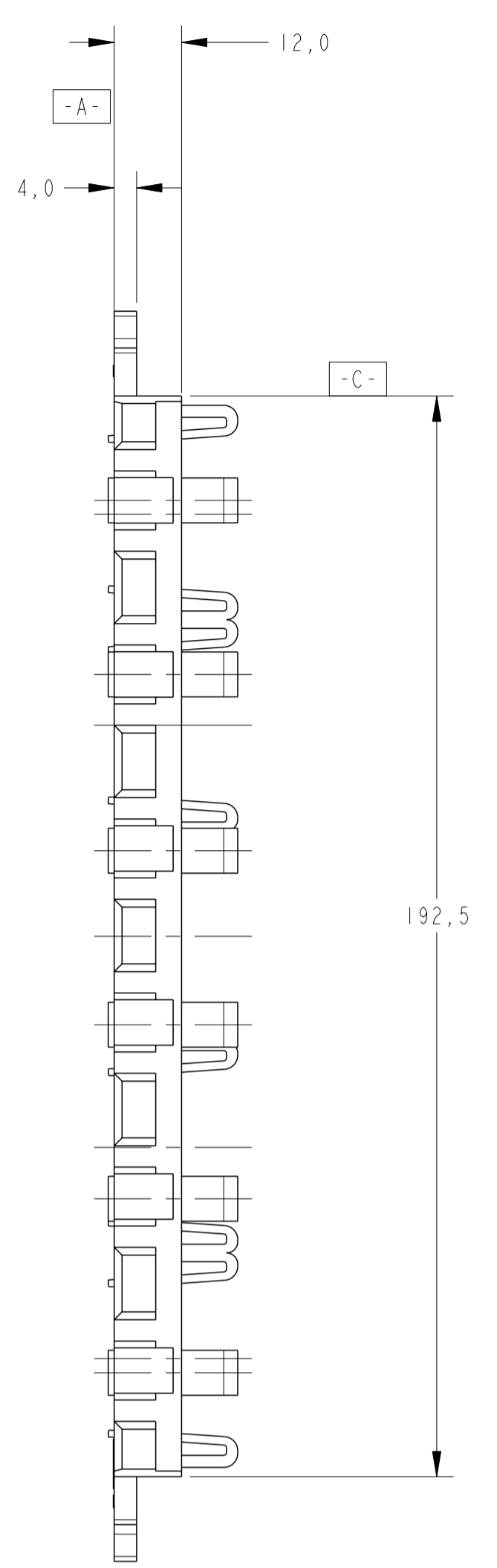
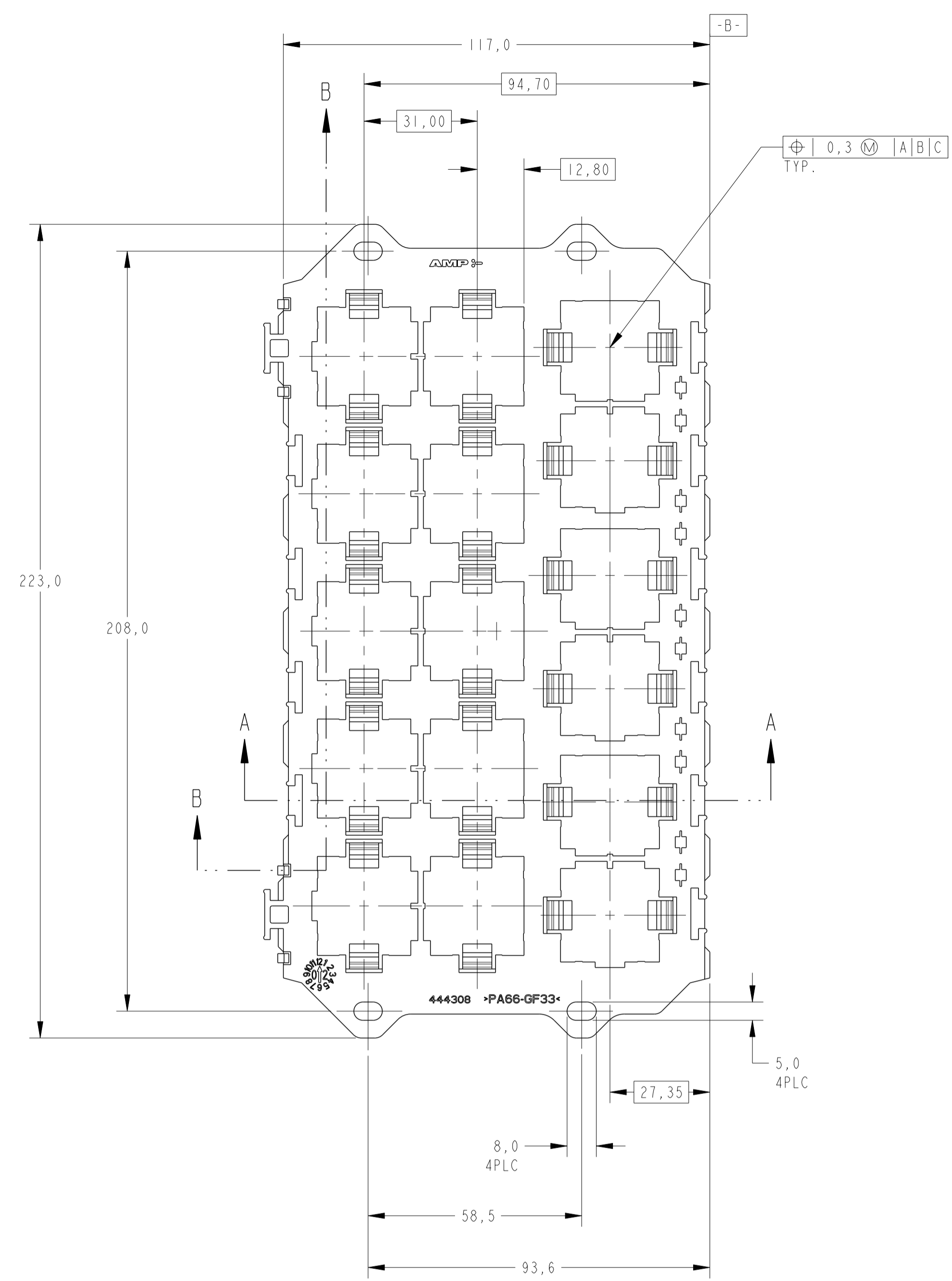


LOC		DIST		REVISIONS			
P	LTH	DESCRIPTION	DATE	DMN	APVD		
B		REDRAW BY CAD	EC-435/99	28JAN00	NCL	PLF	
BI		REVISED BY ECO-11-014014		11JUL2011	PP	GO	



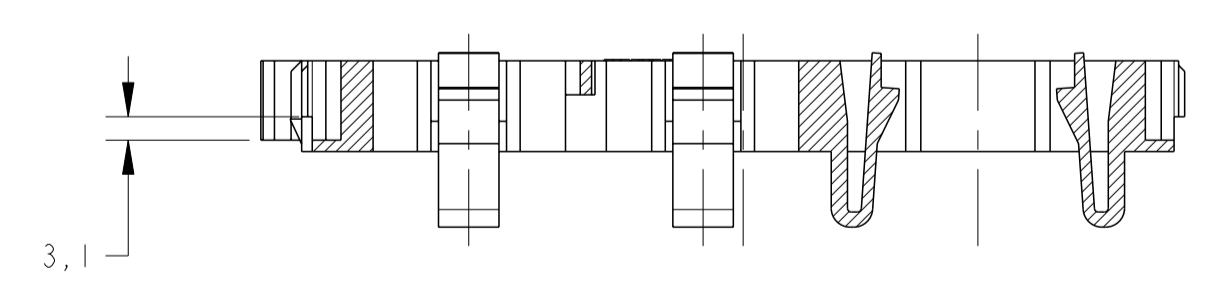
PERSPECTIVE VIEW
SCALE 1:2

GRAVAÇÃO MARKING	
LOGOTIPO AMP	AMP LOGO
CODIGO PAIS PRODUTOR	MANUFACTURER COUNTRY CODE
NOMENCLATURA MATERIAL	MATERIAL NOMENCLATURE
NUMERO COMPONENTE	COMPONENT NUMBER
DATADOR	DATE CODE

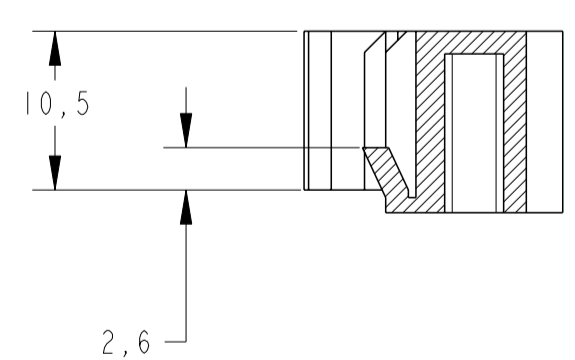
1 - DUAS OU MAIS PEÇAS 444308
PODEM SER MONTADAS ENTRE SI
ATRAVES DA JUNÇÃO J.

1 - TWO OR MORE PARTS 444308
CAN BE MATED THEMSELVES
THROUGH JOINT J.

△ - CONECTORES QUE PODEM SER USADOS: △ - CONNECTORS THAT CAN BE USED:



SECTION A-A



SECTION B-B
SCALE 2:1

DESENHO Nº DWG NO.	DESCRIÇÃO DESCRIPTION	POSIÇÃO POSITION
444309	POWER GROUND ASSY	F
444311	HSG. FOR DIODES	G
444312	HSG. FOR FUSES	G
444313	RELAY SUPPORT	H
444314	RELAY SUPPORT	F / J

RAW MAT'L NO	FINISH	MATERIAL	PART NUMBER
	PRETO / BLACK	PA 6.6 + 33% FV/GF	444308 -1

THIS DRAWING IS A CONTROLLED DOCUMENT.		DMN N.C. LAPRESA 02SEP99	TE Connectivity FRAME, FUSE RELAY BOX
DIMENSIONS:		CHK P.L. FARIA 28JAN00	
TOLERANCES UNLESS OTHERWISE SPECIFIED:		APVD L.G. DALTO 31JAN00	
MATERIAL		NAME	
mm	0 PLC ±	PRODUCT SPEC	SIZE
	1 PLC ±0,3	APPLICATION SPEC	CAGE CODE
	2 PLC ±		DRAWING NO
	3 PLC ±		RESTRICTED TO
	4 PLC ±		
	ANGLES ±		
	FINISH ±		
SEE TABLE	SEE TABLE	WEIGHT	A1 00779 C=444308
		CUSTOMER DRAWING	SCALE 1:1 SHEET 1 OF 1 REV B1